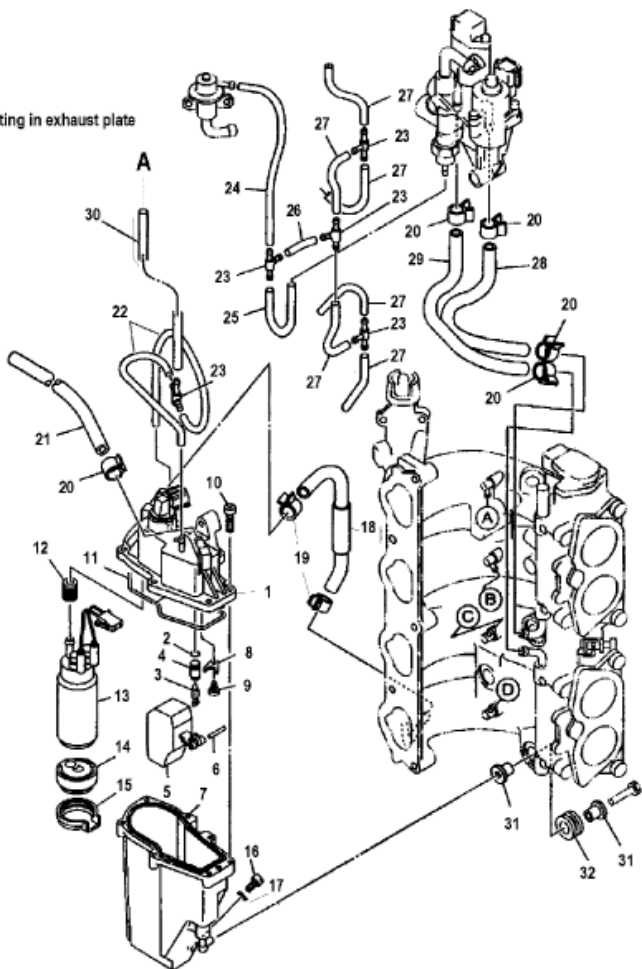


A = To fitting in exhaust plate



14744

Parts List

| Ref | Class | Part | Description | Qty | Comment | Footnote |
|-----|-------|-----------|-------------------------|-----|----------------------|----------|
| - | | 881315T 1 | VAPOR SEPERATOR | 1 | SN# 0T408999 & Below | 22 |
| - | | 881315T 2 | VAPOR SEPERATOR | 1 | SN# 0T409000 & Up | |
| 1 | | 881316T 1 | COVER | 1 | SN# 0T408999 & Below | 22 |
| 1 | | 881316T 2 | COVER | 1 | SN# 0T409000 & Up | |
| 2 | 25 | 881318 | O-RING | 1 | | 22 |
| 3 | | 881329 | NEEDLE VALVE KIT | 1 | | 22 |
| 4 | | NSS | NOT SOLD SEPARATE, Seat | 1 | | 22 |
| 5 | | 881320 | FLOAT | 1 | | 22 |
| 6 | 17 | 881321 | PIN, Float | 1 | | 22 |
| 7 | | 881319T | BODY | 1 | | 22 |
| 8 | | 881327 | PLATE | 1 | | 22 |
| 9 | 10 | 881326 1 | SCREW, (M3 x 8) | 1 | | 22 |
| 10 | 10 | 881326 | SCREW, (M4 x 16) | 7 | | 22 |
| 11 | 27 | 881325 | GASKET | 1 | | 22 |
| 12 | 25 | 881322 | DAMPER | 1 | | 22 |
| 13 | | 880889T | FUEL PUMP | 1 | | 22 |
| 14 | 35 | 881323T | FILTER | 1 | | 22 |
| 15 | | 881324 | COVER | 1 | | 22 |
| 16 | 10 | 881326 2 | DRAIN SCREW | 1 | | 22 |
| 17 | 27 | 881328 | GASKET | 1 | | 22 |
| 18 | 32 | 881330A 1 | HOSE KIT | 1 | | 22 |
| 19 | 54 | 881331 | CLIP | 2 | | 22 |
| 20 | 54 | 881559 | CLIP | 5 | | 22 |
| 21 | 32 | 881565 | HOSE | 1 | | 22 |
| 22 | 32 | 881560 | HOSE | 2 | | 22 |
| 23 | 22 | 881558 | TEE | 5 | SN# 0T408999 & Below | 22 |
| 23 | 22 | 881558 1 | TEE | 5 | SN# 0T409000 & Up | 22 |
| 24 | 32 | 881554 | HOSE | 1 | | 22 |
| 25 | 32 | 881554 | HOSE | 1 | | 22 |
| 26 | 32 | 881554 | HOSE | 1 | | 22 |
| 27 | 32 | 881554 | HOSE | 6 | | 22 |
| 28 | 32 | 881555 | HOSE | 1 | | 22 |
| 29 | 32 | 881557 | HOSE | 1 | | 22 |
| 30 | 32 | 881556 | HOSE | 1 | | 22 |
| 31 | 25 | 881322 1 | DAMPER | 3 | | 22 |
| 32 | 23 | 881332 | COLLAR | 6 | | 22 |
| - | | 881440T 1 | INTAKE ASSEMBLY | 1 | SN# 0T408999 & Below | |
| - | | 881440T 2 | INTAKE ASSEMBLY | 1 | SN# 0T409000 & Up | |